

MSD600

Send the card

V2.3.0

Nova Controller Embedded Software V1.1



Datasheet

Update history

| Release version | Publish time | Update instructions |
|-----------------|--------------|---|
| V2.3.0 | 2020-09-07 | <ul style="list-style-type: none"> Added hot backup verification function. Added 10bit Gamma adjustment. Optimized cascading scheme, supporting up to 20 device cascades. After a factory reset, the default screen matching information is 128×128. The number of receiving cards loaded on the network port was changed from 256 to 512. Update the product appearance diagram. |
| V2.2.1 | 2019-10-31 | <ul style="list-style-type: none"> Add soft information. Optimize product dimension drawings. |
| V2.2.0 | 2019-03-13 | <ul style="list-style-type: none"> Update the document style. Optimize document content. |

Brief introduction

The MSD600 is a sending card developed by Nova Technologies that supports 1 DVI video source input, 1 HDMI video source input, and 1 AUDIO Audio input, 4-channel network port output, single card maximum input resolution of 1920×1200@60Hz.

The MSD600 communicates with the PC via the square USB interface and cascades devices through the UART serial port.

The MSD600 is cost-effective and is mainly used in rental and consolidation areas such as concerts, live parties, monitoring centers, Olympic Games, stadiums and sports centers.

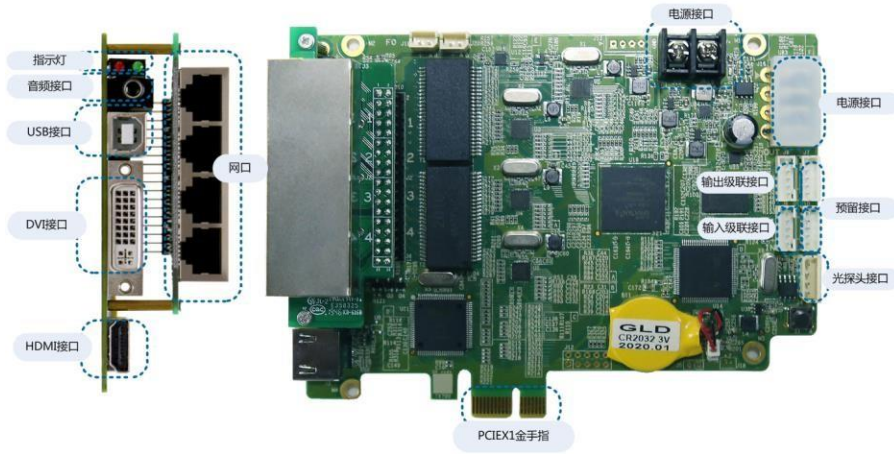
characteristic

- Supports 3 input interfaces.
 - 1×SL-DVI
 - 1×HDMI 1.3
 - 1×AUDIO
- Supports 4 Gigabit Ethernet port outputs.
- Supports a light probe interface.
- Support 1-way square port USB control interface.
- Supports 2-way UART control interface.

For device cascading, up to 20 devices are supported.
- Light-by-point chromaticity correction.

With NovaLCT and NovaCLB, the brightness and chromaticity of each lamp point are corrected, effectively eliminating chromatic aberration, so that the brightness and chromaticity of the whole screen reach a high degree of uniformity, and improve the picture quality of the display.

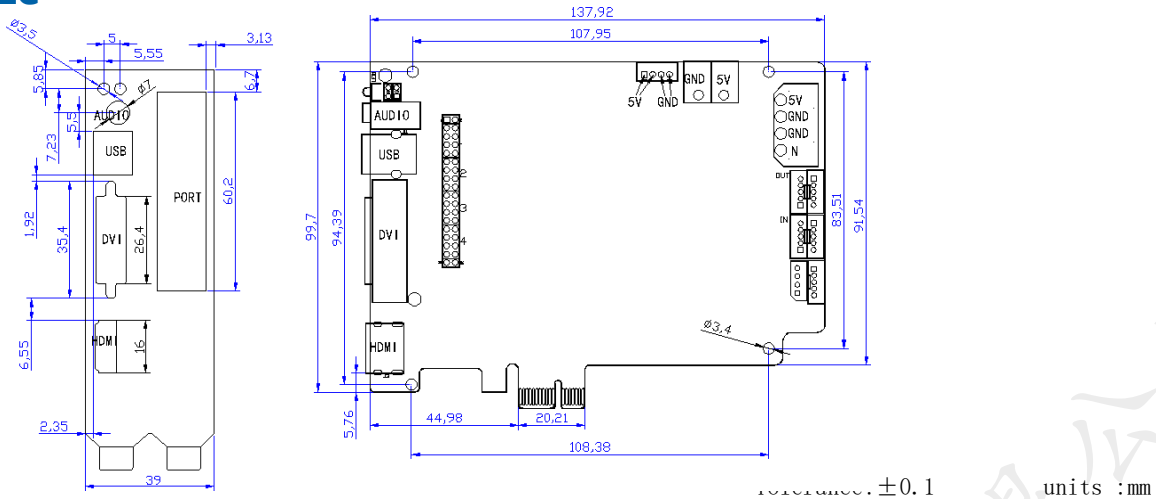
appearance



Tip: The photos in this article are for reference only, please refer to the actual purchase.

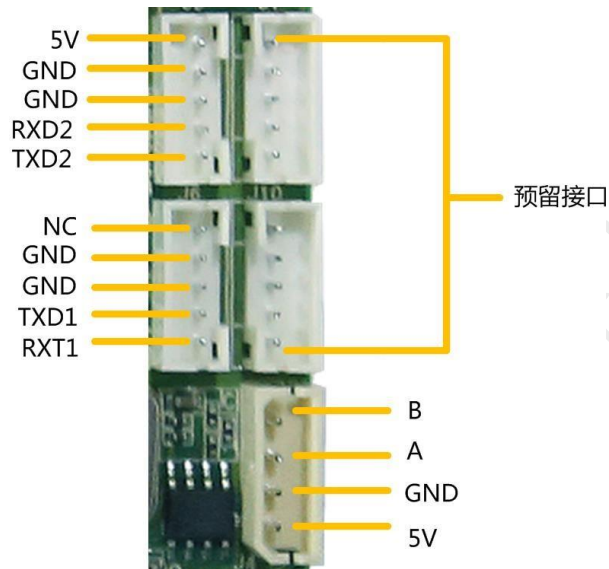
| Light | state | illustrate |
|----------------------|---------------------------------------|--|
| RUN (Green) | Slow flashing(2s flashing 1 time). | No video source input. |
| | Normal blinking(1s flashing 4 times). | There is a video source input. |
| | Flash(1s flashes 30 times). | The display shows a power-on screen. |
| | Breath flickering | Ethernet port redundancy takes effect. |
| IS (Red) | Solid on | The power supply is normal. |
| | Not bright | No power or abnormal power supply. |
| The interface type | The interface name | illustrate |
| Input interface | TWO | <p>1×SL-DVI input interface.</p> <ul style="list-style-type: none"> • A maximum resolution of 1920×1200@60Hz is supported. • Customizable resolution. <p>Limit width:3840(3840×600@60Hz) Limit height:3840(548×3840@60Hz).</p> <ul style="list-style-type: none"> • Interlaced signal input is not supported. |
| | HDMI | <p>1×HDMI 1.3 input interface</p> <ul style="list-style-type: none"> • A maximum resolution of 1920×1200@60Hz is supported. • Customizable resolution. <p>Limit width:3840(3840×600@60Hz) Limit height:3840(548×3840@60Hz).</p> <ul style="list-style-type: none"> • HDCP1.4 is supported. • Interlaced signal input is not supported. |
| | AUDIO | Audio input interface. |
| Output interface | 4×RJ45 | <p>4× RJ45 Gigabit Ethernet port.</p> <ul style="list-style-type: none"> • Single-way with a maximum load of 650,000 pixel points. • Supports inter-network port redundancy. |
| Functional interface | LIGHT SENSOR | Light probes can be connected to monitor the brightness of the environment, and the brightness of the screen body can be automatically adjusted |
| Control interface | USB | USB 2.0(Type-B,square port), connect the computer. |
| | UART IN/ OUT | Cascaded inputs/outputs with support for cascading up to 20 devices. |
| Power connector | DC 3.3V~5.5V | |

size



Data interface definition

The pin definition of the UART IN/OUT serial port and optical probe interface is shown in the figure below.



Specifications

| | | |
|---------------------------|-------------------------|--|
| Electrical specifications | Input voltage | DC 3.3V~5.5V |
| | Rated current | 1.32A |
| | Rated power consumption | 6.6W |
| Work environment | temperature | -20°C~+75°C |
| | humidity | 10%RH~+90%RH,non-condensing |
| Physical specifications | size | 137.9mm×99.7mm×39.0mm |
| | net weight | 125.3g Description: Single card weight. |

| | | |
|----------------------------|-------------------|---|
| Packaging information | carton | 335mm×190mm×6 2mm Accessories include:1× USB cable,1×DVI cable |
| | Large outer box | 400mm×365mm×35 5mm |
| Authentication information | EMC、RoHS、PFoS、FCC | |

illustrate:

The measurement conditions of rated current and rated power consumption are as follows, based on field conditions and different measurement environments, the data may vary, and the actual use shall prevail.

- Single-device testing, no cascading.
- Use 1 HDMI video source input, 4 internet port output.

Video source properties

| Input interface | characteristic | | |
|-----------------|----------------|-----------------|--------------------------|
| | Bit depth | Sampling format | Maximum input resolution |
| Single-link DVI | 8bit | RGB4:4:4 | 1920×1 200@60Hz |
| | 10bit/12bit | | 1440×900@60Hz |
| HDMI 1.3 | 8bit | | 1920×1 200@60Hz |
| | 10bit/12bit | | 1440×900@60Hz |

版权所有 ©2020 西安诺瓦星云科技股份有限公司。保留一切权利。

非经本公司书面许可，任何单位和个人不得擅自摘抄、复制本文档内容的部分或全部，并不得以任何形式传播。

商标声明

NOVA STAR 是诺瓦科技的注册商标。

声明

欢迎您选用西安诺瓦星云科技股份有限公司的产品，如果本文档为您了解和使用产品带来帮助和便利，我们深感欣慰。我们在编写文档时力求精确可靠，随时可能对内容进行修改或变更，恕不另行通知。如果您在使用中遇到任何问题，或者有好的建议，请按照文档提供的联系方式联系我们。对您在使用中遇到的问题，我们会尽力给予支持，对您提出的建议，我们衷心感谢并会尽快评估采纳。

24小时免费服务热线

400-696-0755

<http://www.novastar-led.cn>

西安总部

地址：西安市高新区科技二路72号西安软件园零壹广场DEF101

电话：029-68216000

官方技术交流群：104159979 / 202735063



诺瓦科技官方微信号